

**LEGEND**

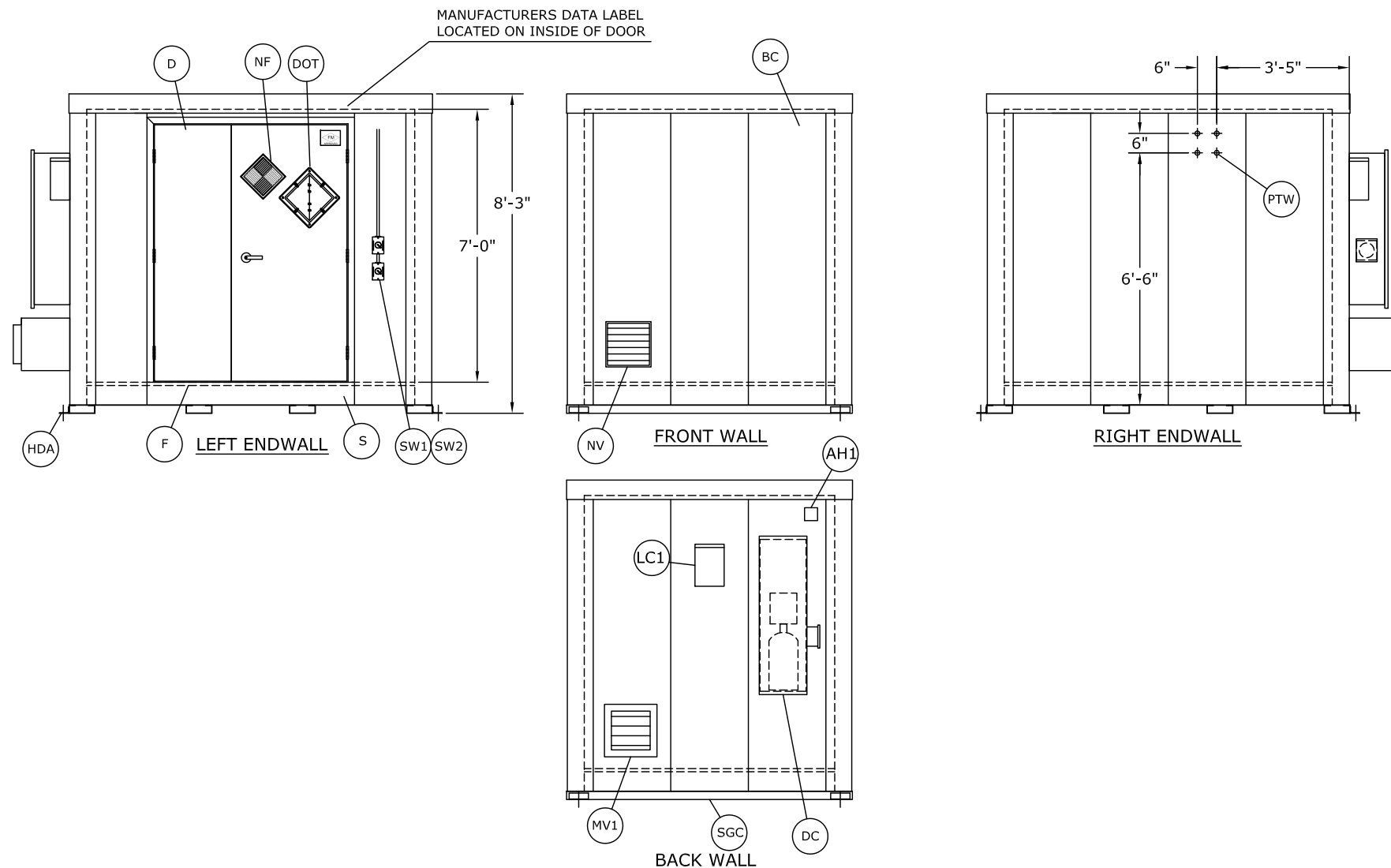
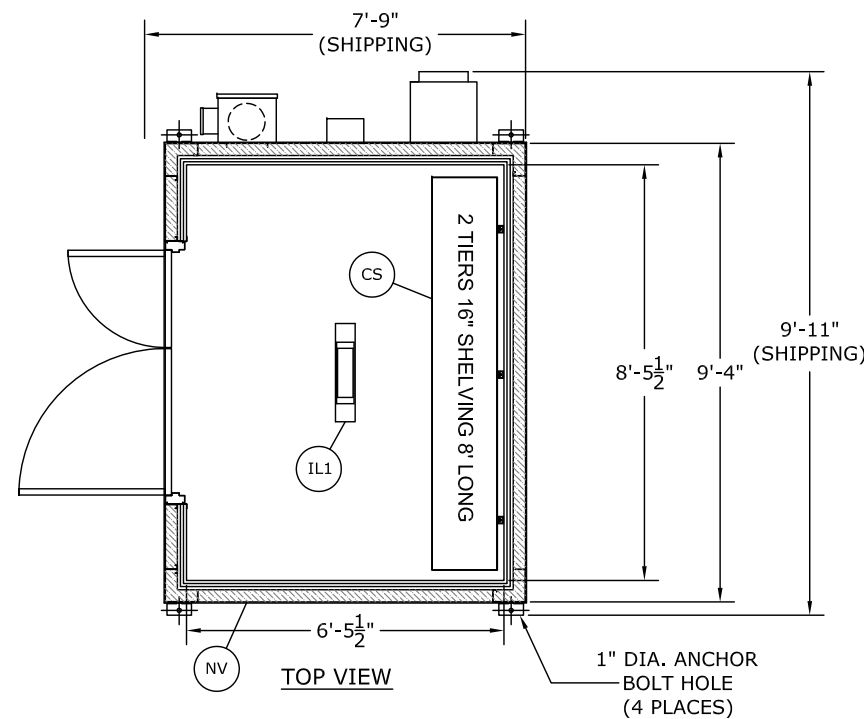
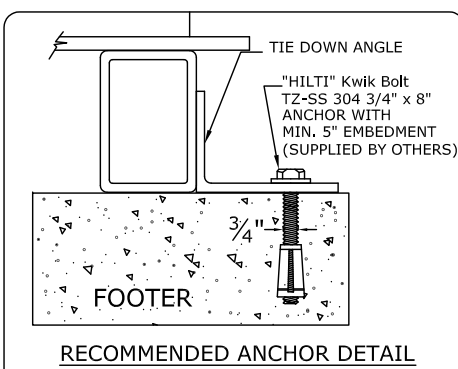
- DOT- DEPARTMENT OF TRANSPORTATION FLIP CHART PLACARD (1)
- NF- NATIONAL FIRE PROTECTION ASSOCIATION 704 SIGN (1)
- HDA- HOLD DOWN ANGLE (4)
- FP- FORKLIFT POCKETS
- SGC- STATIC GROUND CONNECTOR
- S- SUMP (221 GAL CAPACITY)
- BC- BUILDING COLOR: BLEACHED BONE
- NV- NATURAL VENTILATION WITH RAIN LOUVRE & 3 HR FIRE DAMPER (1)
- F- FLOOR: GALVANIZED STEEL GRATING
- CS- CONTAINMENT SHELVING, 16" DEEP (16 LIN FT TOTAL)
- D- 60"W x 80"H DOUBLE LEAF DOOR, 3 HR FIRE RATED (1)
- LC1- LOAD CENTER 240V/1Ø NEMA 3R (GENERAL PURPOSE)(1)
- IL1- INTERIOR 2' "LED" LIGHT (EXPLOSION PROOF C1-D2)(1)
- SW1- LIGHT SWITCH (GENERAL PURPOSE)(1)
- MV1- MECHANICAL VENT w/ FIRE DAMPER (EXPLOSION PROOF, C1-D1)(1)
- SW2- VENT SWITCH (GENERAL PURPOSE)(1)
- DC- DRY CHEMICAL FIRE SUPPRESSION SYSTEM, 21 lb TANK (GENERAL PURPOSE)(1)
- AH1- ALARM HORN FOR DRY CHEM (GENERAL PURPOSE)(1)
- PTW- 1" STAINLESS STEEL PORT THROUGH WALL (4)

**GENERAL SPECIFICATIONS:**

INDOOR STORAGE CAPACITY:	9 DRUMS
OUTDOOR STORAGE CAPACITY:	12 DRUMS
UNIT ESTIMATED WEIGHT:	5,308 Lbs
CONSTRUCTION:	2 HOUR FIRE RATED
DOOR:	HINGED, KEYED LOCK
SUMP VOLUME:	221 GAL
PAINT SPECS:	
COLOR:	BLEACHED BONE
INTERIOR:	ACRYLIC ALKYD ENAMAL
EXTERIOR:	ACRYLIC ALKYD ENAMAL
LIVE LOADS:	
FLOOR:	250 PSF
ROOF:	40 PSF
WIND:	90 MPH
EXPOSURE CAT:	C
14 GA. CARBON STEEL STRUCTURE	
INTERNAL PRESSURE:	100 PSF

ANCHORING REQUIRED-DESIGNED BY OTHERS

NOTE: IF INDOOR STORAGE, DRAIN AND AUTOMATIC FIRE SUPPRESSION REQUIRED



**SUPPLY VOLTAGE**  
120/240V/1Ø/60hz

**ESTIMATED SHIPPING DIMENSIONS:**  
LENGTH = 10'-1"  
DEPTH = 7'-11"  
HEIGHT = 8'-5"

REVISIONS			
CHANGES BY	REV	DESCRIPTION	DATE
JAD	C	LOCATED PTW	10/27/20
			APPROVED

**GENERAL NOTES:**  
1- ALL MATERIAL AND WORKMANSHIP SHALL CONFORM WITH THE REQUIREMENTS OF THE LATEST REVISION OF THE UBC, IBC AND STATE BUILDING CODES. DESIGN ACCORDING TO AISC, ASD, AND WITH ANSI/ASCE 7.  
2- NO LOADS OTHER THAN THOSE GIVEN UNDER "DESIGN DATA" BELOW SHALL BE IMPOSED ON THE "STRUCTURE."  
DESIGN DATA (MATERIALS)  
STRUCTURAL QUALITY ASTM SPECIFICATION, A36 ER70S WELDING WIRE.  
DESIGN DATA IN ACCORDANCE WITH ANSI/ASCE 7:10

MINIMUM ROOF LIVE LOAD (PSF) = 40  
Pg: GROUND SNOW LOAD (PSF) = 50  
V : WIND VELOCITY (MPH) = 120  
SEISMIC DESIGN CATEGORY : C

FINAL FOUNDATION DESIGN TO BE SUPPLIED BY OTHERS



ALL DIMENSIONS SHOWN ON THIS PRINT ARE FOR YOUR REFERENCE. TOLERANCES ARE ±1" UNLESS OTHERWISE NOTED.

DATE: 9/21/20

DRAWN BY: DMG

**US NAVY EWTGPAC**

3423 GUADALCANAL RD  
SAN DIEGO, CA 92155

MODEL NO. DS122H  
SF QUOTE NO. Q02968  
GS QUOTE NO. 0008257  
ORDER NO. 3248  
**APPROVAL PRINT**

THIS PRINT IS CONFIRMATION OF YOUR ORDER AND ILLUSTRATES THE APPROXIMATE LOCATION OF FACTORY INSTALLED OPTIONS. CUSTOMER APPROVAL IS REQUIRED BEFORE MANUFACTURING CAN BEGIN.  
ANY CHANGES MADE AFTER CUSTOMER APPROVAL MAY INCUR EXTRA CHARGES AND DELAY ESTIMATED DELIVERY.

SIGNATURE \_\_\_\_\_ DATE \_\_\_\_\_

ESTIMATED SITE READY DATE \_\_\_\_\_

**LEGAL NOTE**  
THIS DRAWING IS THE PROPERTY OF U.S. CHEMICAL STORAGE, LLC1. ANY DUPLICATION OF THIS DRAWING IN WHOLE OR IN PART IS STRICTLY FORBIDDEN. ANYONE DOING SO WILL BE PROSECUTED UNDER THE FULL EXTENT OF THE LAW.

THIS ORDER IS SUBJECT TO U.S. CHEMICAL STORAGE LLC1'S TERMS AND CONDITIONS WHICH ARE LOCATED AT

<https://www.uschemicalstorage.com/all-about-chemical-storage-expert-info/literature/>

THIS SIGNED GENERAL ARRANGEMENT DRAWING AND U.S. CHEMICAL STORAGE LLC1 TERMS AND CONDITIONS SUPERSEDES ALL OTHER DOCUMENTATION FOR THE NOTED PROJECT.

CUSTOMER IS RESPONSIBLE FOR REVIEWING DESIGN WITH THEIR LOCAL CODE AUTHORITIES TO ENSURE DESIGN AND INCLUDED COMPONENTS ARE ACCEPTABLE.

REVIEW, APPROVALS, STAMPED PLANS/CALCULATIONS & FACTORY INSPECTIONS BY REGISTERED DESIGN PROFESSIONALS, THIRD PARTY AGENCIES, OR STATE/LOCAL CODE ENFORCEMENT AGENCIES ARE NOT INCLUDED UNLESS NOTED ON THIS GENERAL ARRANGEMENT DRAWING.



MANUFACTURING FACILITY  
1806 River Street, Hwy. 268 W.  
Wilkesboro, NC 28697